

TN101.00

Lavoce

1" SOFT DOME TWEETER

NEODYMIUM MAGNET

- 1 INCH CCAW VOICE COIL
- 91,5 dB/SPL SENSITIVITY
- 30 WATT PROGRAM POWER HANDLING
- FEM OPTIMIZED MOTOR AND SUSPENSIONS
- TEXTILE DIAPHRAGM



GENERAL SPECIFICATIONS

Nominal diameter	mm (in.)	26 (1)
Nominal impedance	Ω	8
Minimum impedance	Ω	6,2
Program power (1)	W	30
AES power above 2.5 kHz (12dB/oct) (2)	W	15
Sensitivity (3)	dB	91,5
Frequency range	Hz	1500 ÷ 20000
Voice coil diameter	mm (in.)	25 (1)
Magnet material		Neodymium
Coil material		CCA W
Former material		Polyimide
Diaphragm and Surround material		Textile
Ferrofluid		YES

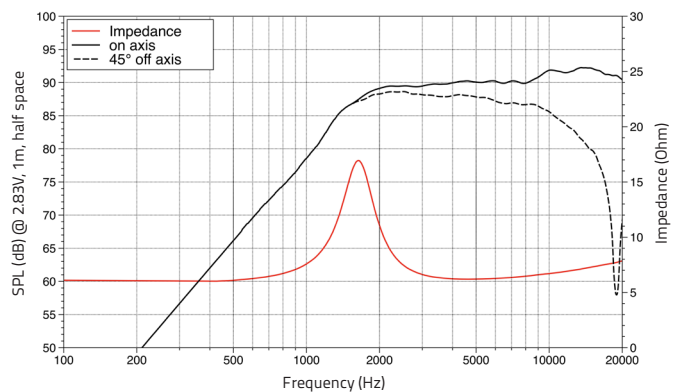
SMALL SIGNAL PARAMETERS

DC resistance	Re	Ohm	5,6
Resonance frequency	Fs	Hz	1600
Moving mass	Mms	g (oz)	0,21 (0.01)
Compliance	Cms	mm/N	0,046
Force factor	BxL	N/A	2,5
Mechanical Q-factor	Qms		4,03
Electrical Q-factor	Qes		1,92
Total Q-factor	Qts		1,3
Voice coil inductance	Le	mH	0,03
Diaphragm area	Sd	cm ² (in. ²)	6,6 (1.02)

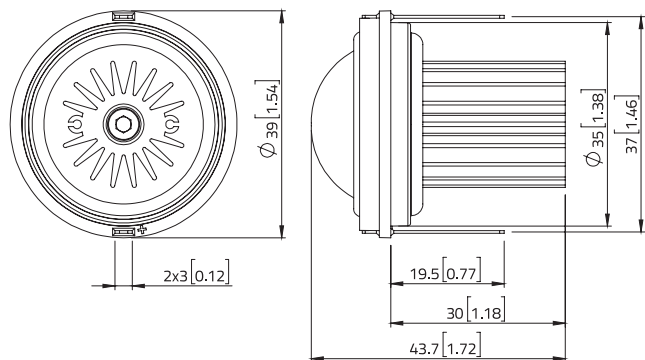
SHIPPING INFORMATION

Net weight	kg (lb.)	0,05 (0.11)
Multipack size (100)	mm (in.)	310 x 310 x 240 (12.2 x 12.2 x 9.4)
Multipack weight	kg (lb.)	9,6 (21.2)

FREQUENCY RESPONSE



DIMENSIONS mm (in.)



(1) Program power is defined as 3 dB greater than AES Power. (2) Tested with heat sink for two hours using a continuous, band-limited pink noise signal as per AES 2-1984 Rev. 2003. (3) Measured on axis at 2.83V, 1m, halfspace, average SPL in the frequency range

All specifications subject to change without notice_H.a

