

# CSF122.50K

Lavoce

## 12" COAXIAL

FERRITE COMMON HF\LF MAGNET  
STEEL BASKET DRIVER

### PRELIMINARY

- 2.5 INCH LF EDGEWOUND CCA VOICE COIL
- 1.7 INCH HF EDGEWOUND CCA VOICE COIL
- 97 DB/SPL SENSITIVITY
- 600 WATT PROGRAM POWER HANDLING
- FEM OPTIMIZED COMMON MOTOR, PHASEPLUG AND DIAPHRAGM
- 45 - 20000 Hz FREQUENCY RANGE
- 80° NOMINAL COVERAGE
- POLYIMIDE HF DIAPHRAGM
- DOUBLE ALUMINIUM DEMODULATING RINGS
- COMPACT AND LIGHTWEIGHT DESIGN



### GENERAL SPECIFICATIONS

	LF	HF
LF Nominal diameter / HF Exit	mm (in.) 300 (12)	25,4 (1)
Nominal impedance	Ω 8	8
Minimum impedance	Ω 6,6	7,6
Program power (1)	W 600	120
AES Power rating (2)	W 300	60
Sensitivity (3)	dB 97	105
Frequency range	Hz 45 ÷ 4000	1000 ÷ 20000
Voice coil diameter	mm (in.) 65 (2.5)	44,4 (1.7)
Chassis material	Steel	
Magnet material	Ferrite	
Magnet dimensions	mm 185 x 85 x 22	
OD x ID x h	(in.) (7.28 x 3.34 x 0.87)	
Coil material	Edgewound CCA	Edgewound CCA
Former material	Glass Fiber	Kapton
LF Cone / HF Dome material	Waterproof Treated Paper	Polyimide
Surround material	Polycotton	Polyimide
Flux density	T 1,12	1,65
Recommended crossover (4)	Hz -	1600
Xmax (5)	mm (in.) 6,25 (0.25)	-
Xmech (6)	mm (in.) 10,25 (0.40)	-
Gap height	mm (in.) 8 (0.31)	-
Voice coil winding height	mm (in.) 16,6 (0.65)	-
Driver displacement volume	l (ft³) 3,0 (0.106)	
Recommended enclosure	l (ft³) 55 (1.94)	
Recommended tuning	Hz 55	

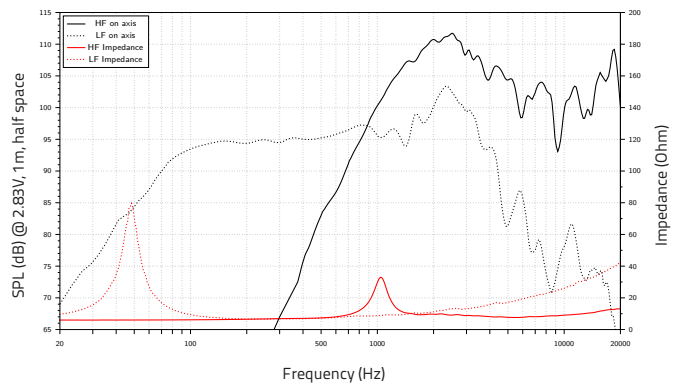
### LF SMALL SIGNAL PARAMETERS

DC resistance	Re	Ohm	5,8
Resonance frequency	Fs	Hz	47
Moving mass	Mms	g (oz)	50,8 (1.79)
Compliance	Cms	mm/N	0,23
Force factor	BxL	N/A	13,9
Mechanical Q-factor	Qms		5,80
Electrical Q-factor	Qes		0,45
Total Q-factor	Qts		0,42
Equivalent air volume	Vas	l (ft³)	89,78 (3.17)
Voice coil Inductance	Le	mH	0,46
Diaphragm area	Sd	cm² (in.²)	531 (82,31)
Reference efficiency	Eta 0	%	2,0
Efficiency bandwidth product	EBP	Hz	104

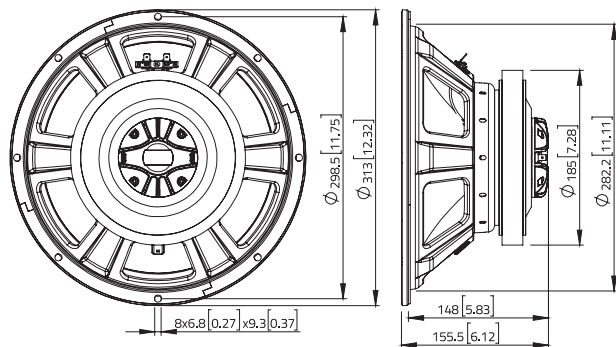
### SHIPPING INFORMATION

Net weight	kg (lb.)	5,6 (12.3)
Multipack size (1)	mm	338 x 338 x 191
W x D x H	(in.)	(13.3 x 13.3 x 7.52)
Multipack weight	kg (lb.)	6,6 (14.6)

### FREQUENCY RESPONSE AND IMPEDANCE



### DIMENSIONS mm (in.)



(1) Program power is defined as 3 dB greater than AES Power.

(2) Tested in free air for two hours using a continuous:

LF: band-limited pink noise signal as per AES 2-1984 Rev. 2003.

HF: band-limited (1600-20000 Hz, 12dB/oct.) pink noise signal as per AES 2-1984 Rev. 2003.

(3) LF: From T/S parameters, measured with Klippel DA LPM module.

HF: Measured on axis at 2.83V, 1m, SPL averaged in the frequency range 1000 ÷ 20000 Hz.

(4) High pass filter with slope 12dB/oct. or higher.

(5) The Xmax is calculated as:  $(Hvc - Hg) / 2 + Hg / 4$ . Hvc is the voice coil height and Hg the gap height.

(6) The Xmech is calculated as:  $(Hvc - Hg) / 2 - (Hg - 2)$ . Hvc is the voice coil height and Hg the gap height.

(7) Thiele-Small parameters are measured after preconditioning: a) at 20°C - 22°C, 50% humidity for 2 hours; b) by Klippel LSI measurement.

All specifications subject to change without notice. G.b

WWW.LAVOCESPEAKERS.COM



Lavoce Italiana

sales@lavocespeakers.com sales.cn@lavocespeakers.com